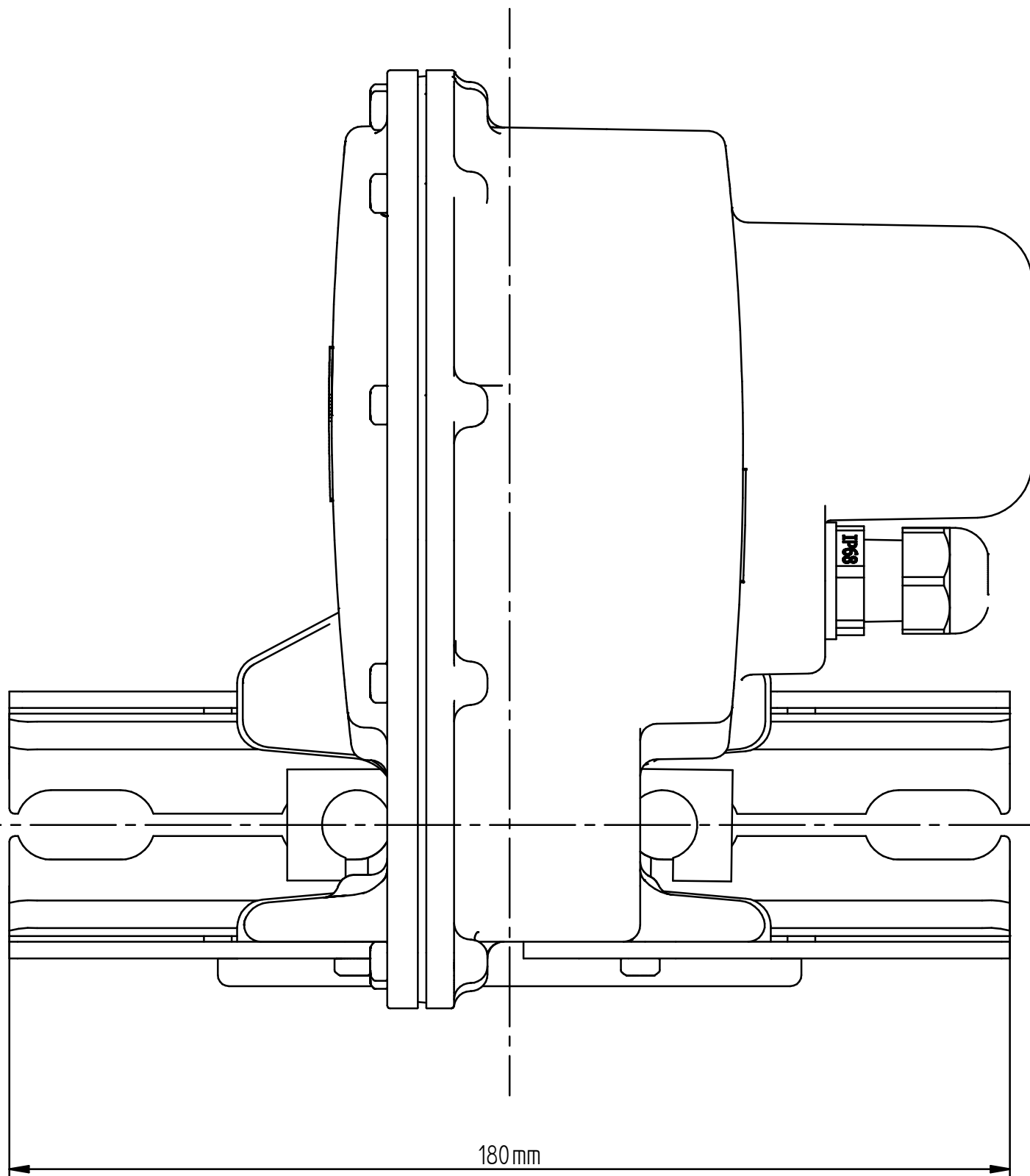


# KNOTT

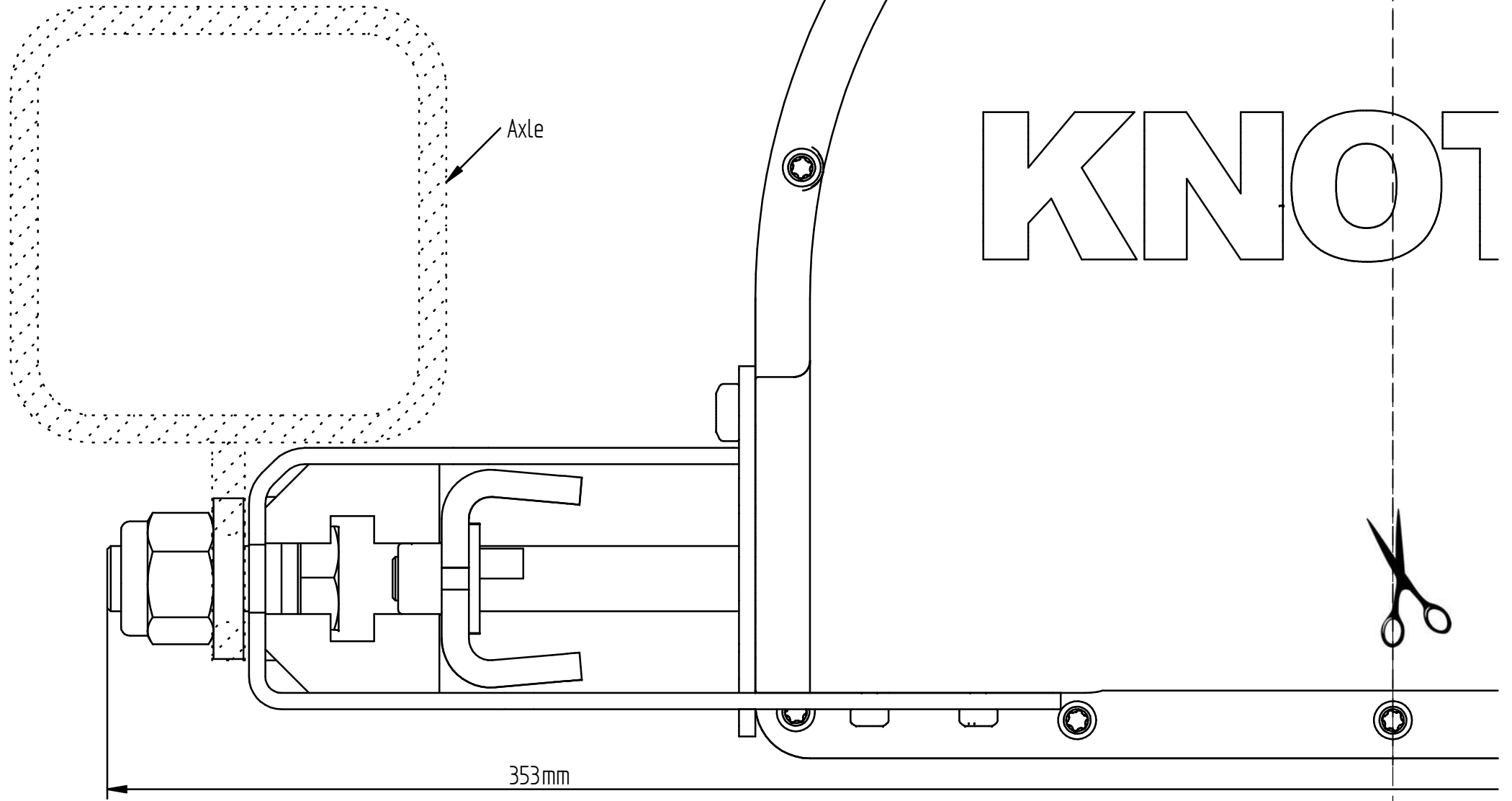
## ETS Plus - View from behind



scale 1:1

# KNOTT

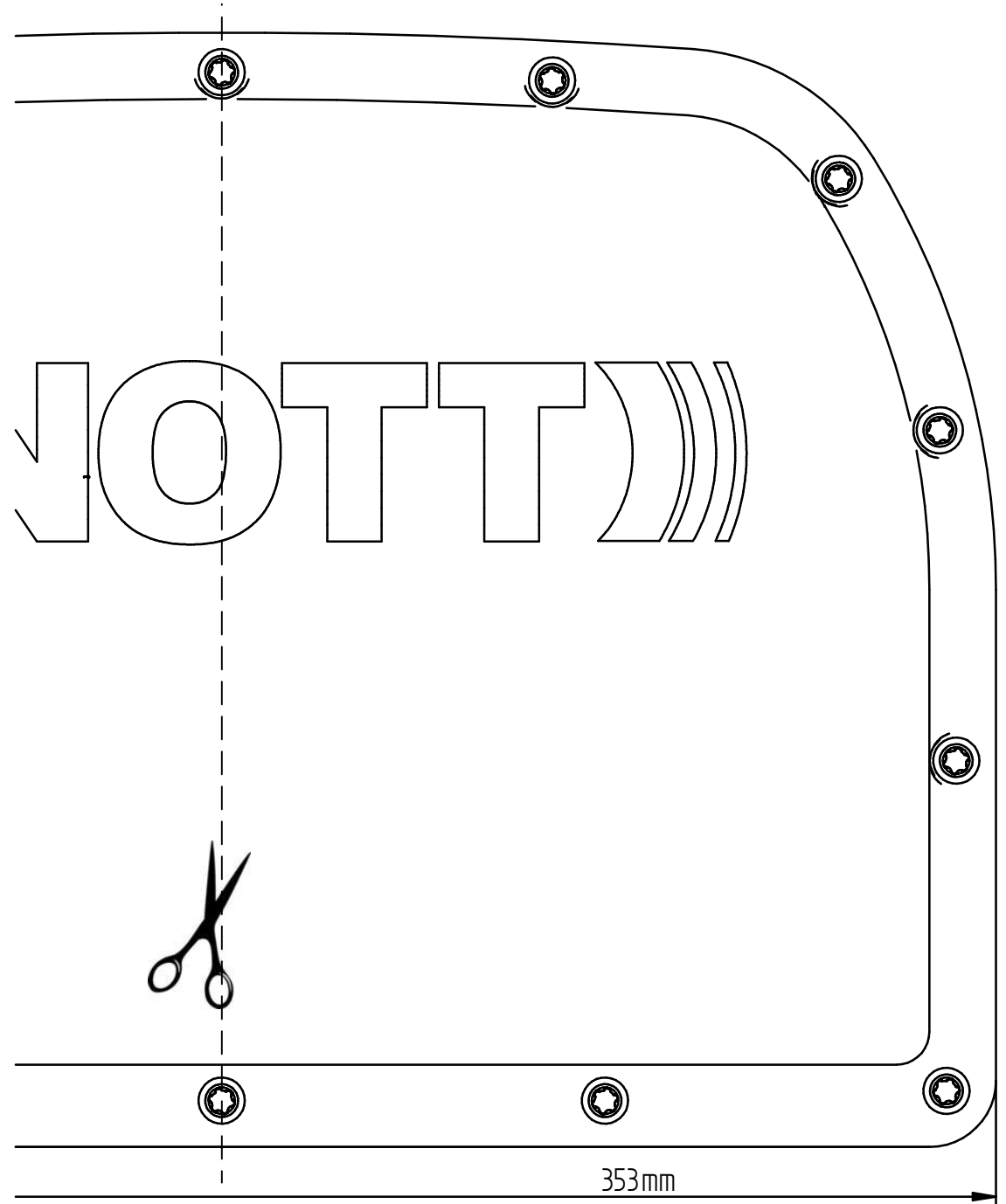
## ETS Plus - side view



scale 1:1

# KNOTT

## ETS Plus - Side view



scale 1:1