

Arrive safely

Installation and operating instructions

Cover hood

Forked drawbar

Cover spread angle up to 30 °

KNOTT)))

1. Proof of origin:

Knott GmbH
Bremsen – Achsen
Obingerstrasse 15
83125 Eggstätt
GERMANY
Tel. +49 8056 906-0
Fax. +49 8056 906-106
Email: info@knott.de
www.knott.de



Read the operating instructions and act accordingly. Keep the operating instructions for general use. Observe safety precautions and warnings.



“Caution” indicates work steps which must be complied with exactly in order to prevent persons being injured or components being damaged.



Special information on improved handling during operation, checking, adjustment and maintenance work.



Safety-relevant component
We recommend installation by a specialist workshop!

Prerequisites for assembling the forked drawbar cover:

The forked drawbar cover can only be installed together with the corresponding cover for the overrun device, article no. 210913.XXX.

Installation preparation:

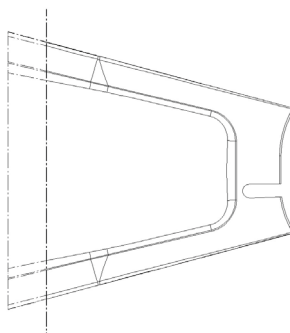
Ensure that the caravan is resting on a level surface for installation. For greater freedom when working, it may be necessary to release and operate the handbrake. Therefore, protect the caravan adequately against rolling away.

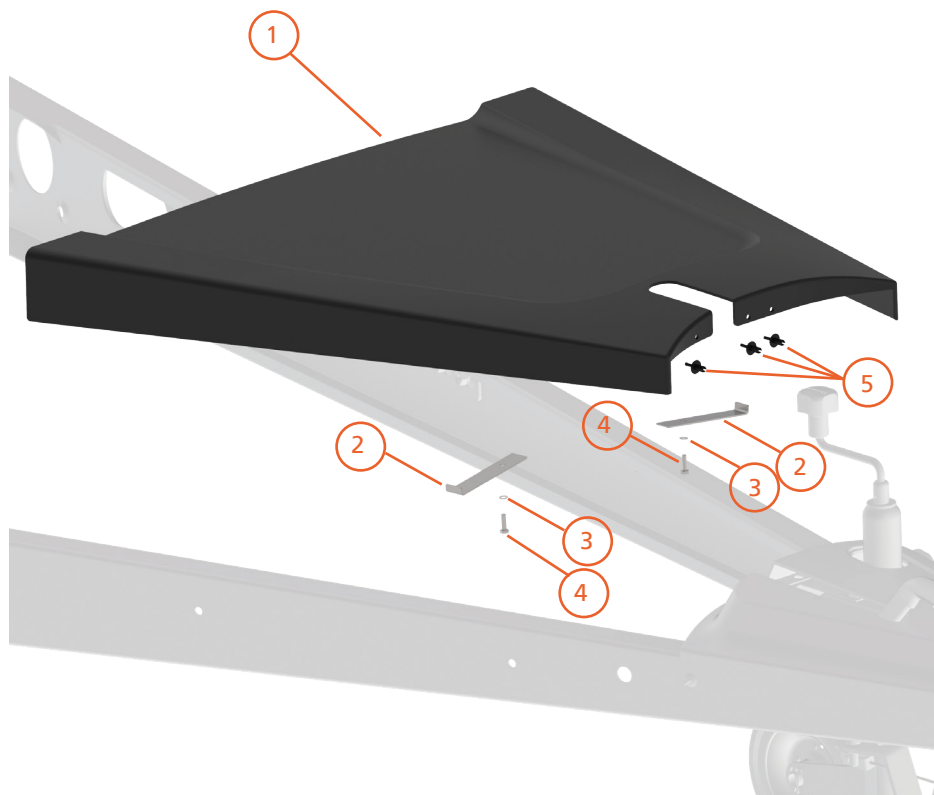
Installing the expanding rivets:

Insert the expanding rivets into the boreholes as far as possible. Hammer in the pin precisely until it is flush with the rivet head.

Variable cover length:

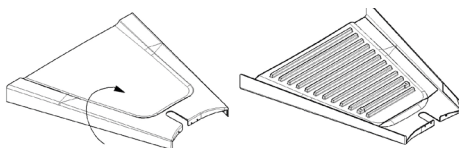
The cover of the towbar can be shortened as required using suitable tools. When doing so, make sure that the reinforcing rib with assembly thread remains fully intact.





Item	Designation	Article No.	Quantity
1	Cover hood	210914.001	1
2	Angled sheet	211026.001	2
3	Toothed washer	D6797.003	2
4	Hexagonal screw	D933.091	2
5	Expanding rivet	6902449X	3

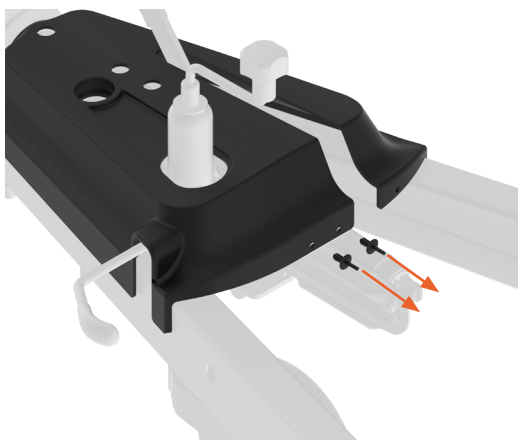
Installation preparation



Pre-mount the angled sheets on the cover hood.



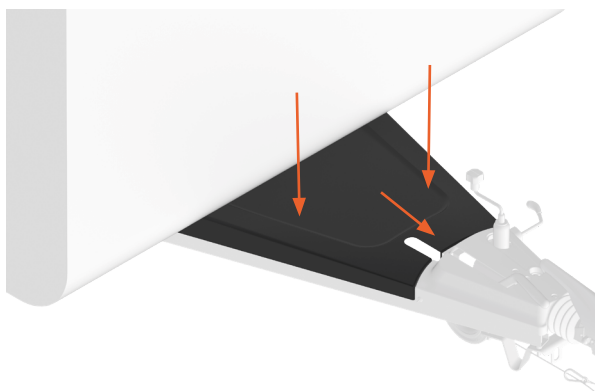
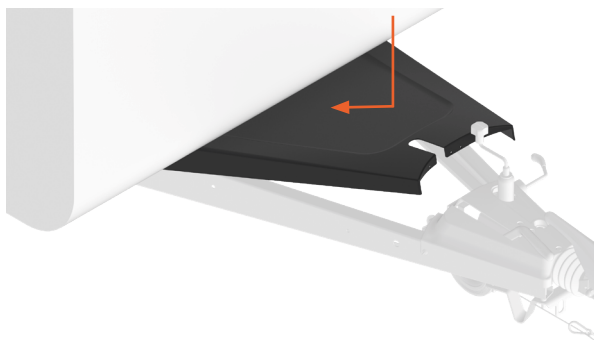
Do not tighten the screw!



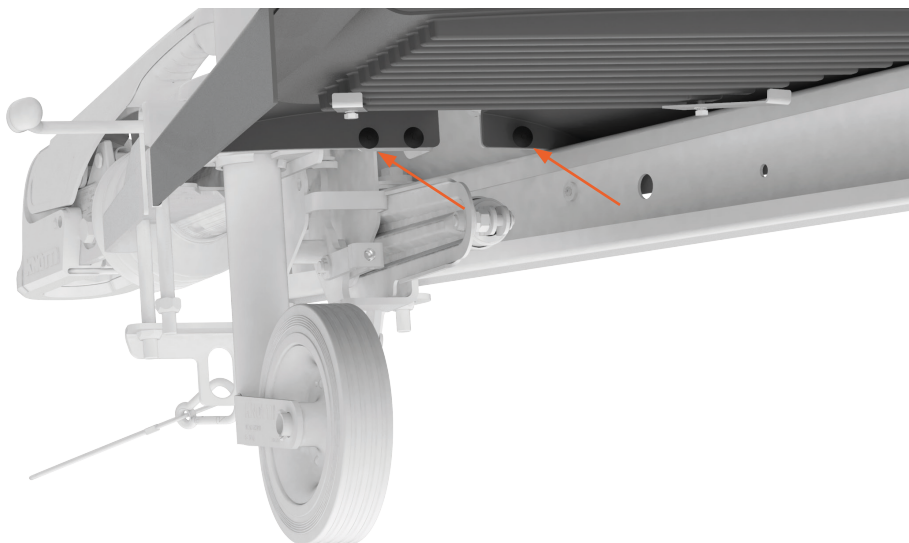
i **IMPORTANT:**
If retrofitting the forked drawbar cover, you must first remove the expanding rivets from the rear fastening. You can reuse the expanding rivets

Installation

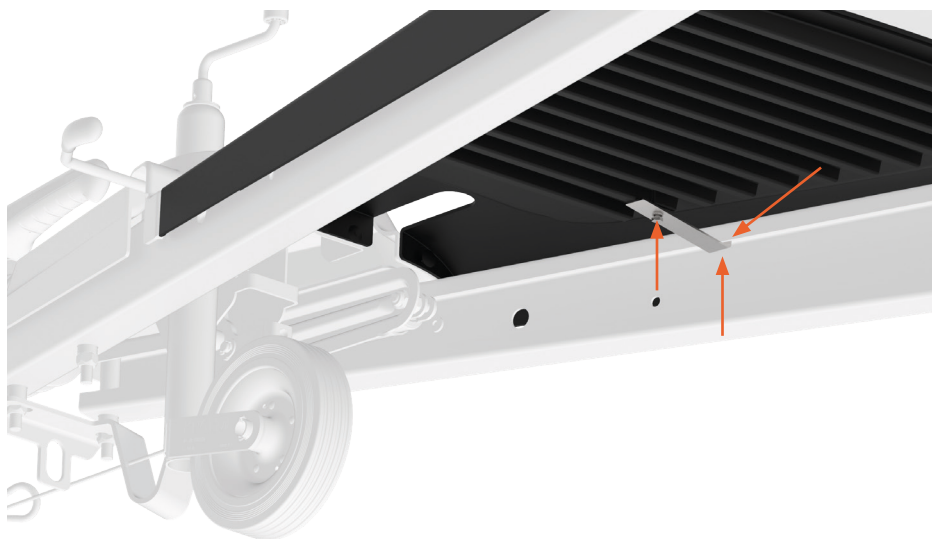
Place the cover hood on the towbar and push it all the way forward up to the front cover of the overrun device.



Fasten the drawbar cover to the cover of the overrun device or the fixing bracket using the expanding rivets.



Hook the pre-mounted angled sheets into the towbar. Tighten the screw until the cover hood lies securely on the towbar.



NOTES:

Knott GmbH
Gutenbergstraße 21
93128 Regenstauf
Germany

Tel. +49 9402 9317-0
Fax. +49 9402 9317-20

info@knott.de
www.knott.de